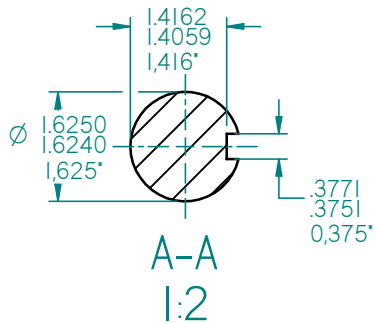
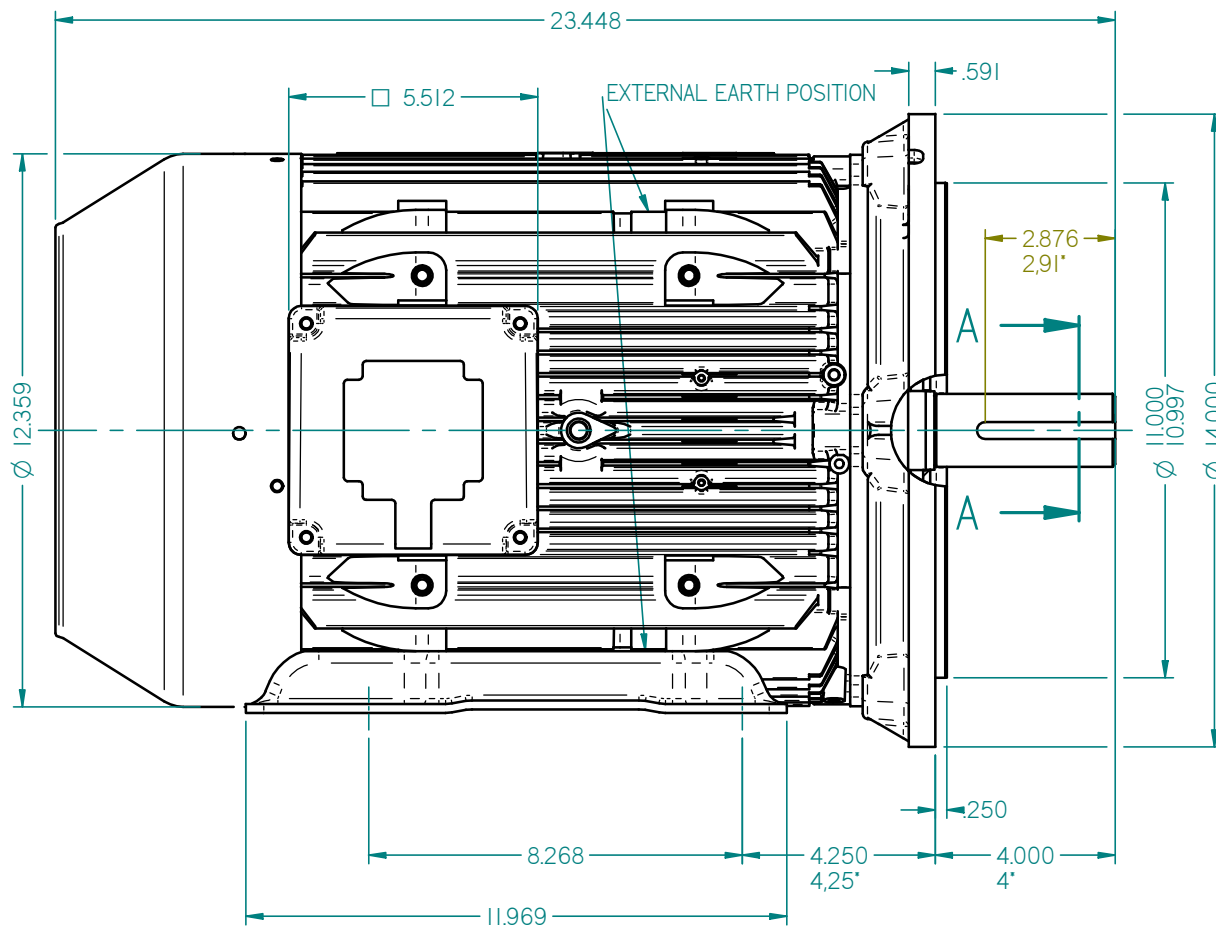


4 HOLES DRILLED  $\varnothing 0,8125''$   
EQUI-SPACED ON A 12,5'' PCD



\* NEMA DIMENSIONS STANDARDS PUBLICATION

STANDARD TERMINAL BOX POSITION IS 9 O'CLOCK AS SHOWN.  
CONDUIT ENTRIES:- TERMINAL BOX CAN BE ROTATED AT 90° INTERVALS  
(CONDUIT ENTRY POSITION SHOWN FOR ILLUSTRATION ONLY)

ALL DIMENSIONS IN INCHES



FIRST ANGLE  
PROJECTION

**BROOK  
CROMPTON**

SHEET  
SIZE

A3

TITLE:

OUTLINE DIMENSION DRAWING W ALUMINIUM TOTALLY ENCLOSED FAN COOLED  
WP-DA254TD-T 2P FRAME FOOT & D FLANGE MOUNTED MOTOR

	NAME	DATE
DRAWN	DL	29-11-12
CHECKED		
SCALE	1 : 3	

DRG. No.

DRG. REF.

REVISION:

DATE: